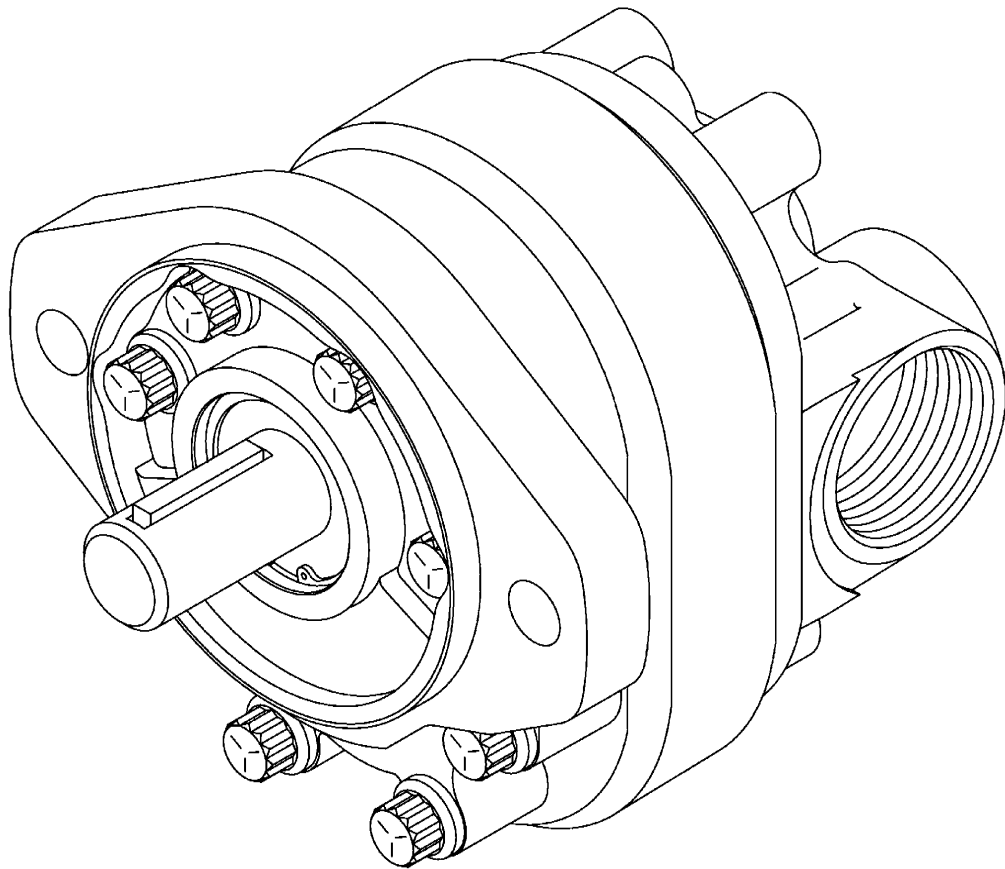
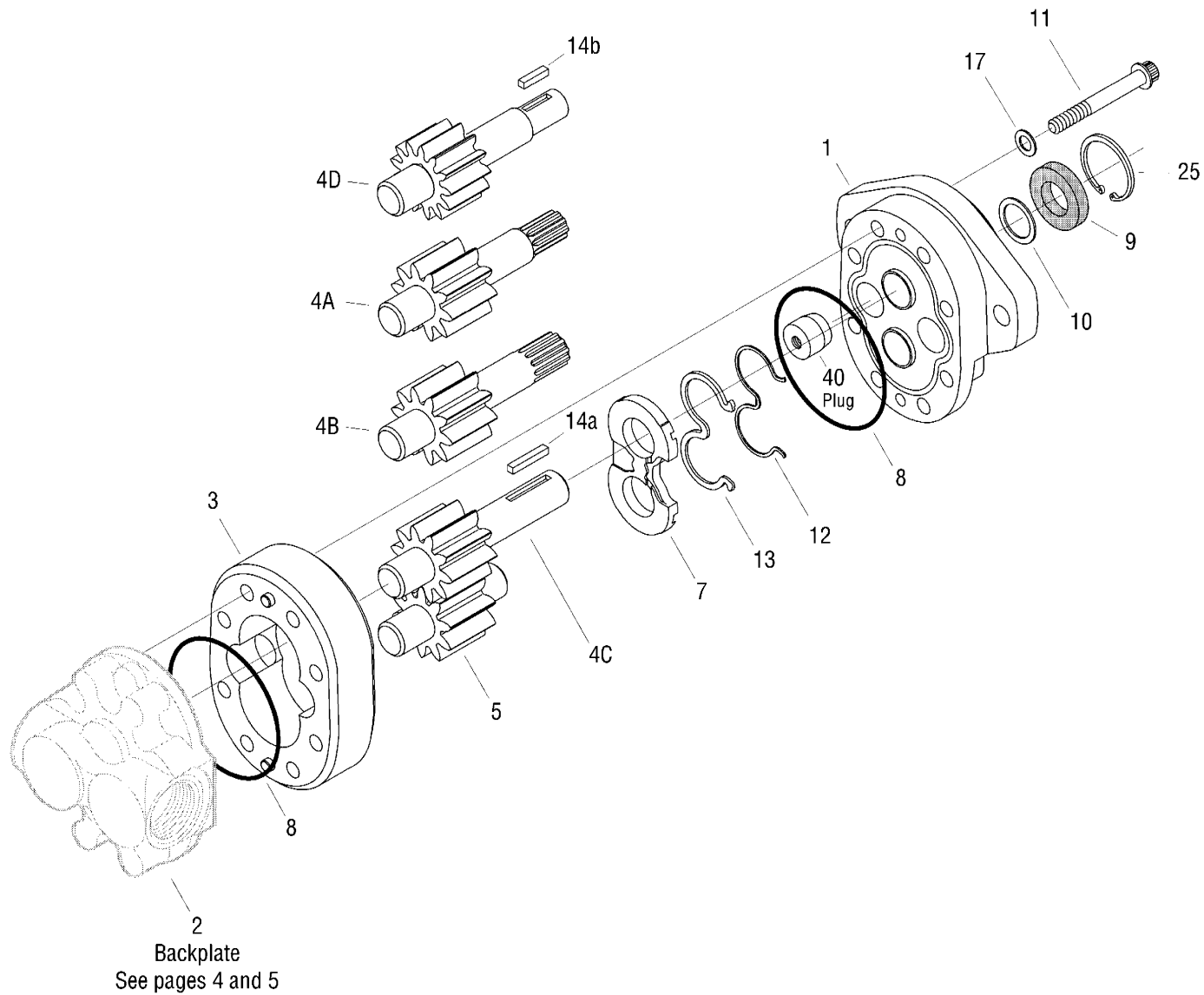


# S26 Series Gear Pump Parts List



# Pump Parts Drawing

Righthand (CW) pump rotation shown.



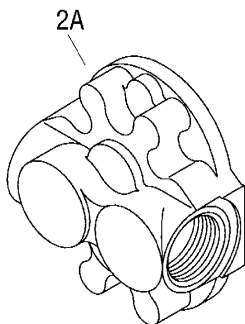
# Pump Parts List

Item No.	Part Number	Description	Qty.
1		Frontplate Assembly	1
	26000 -500	Left-hand or Right-hand Rotation	
2		Backplate (see pages 4 and 5)	1
3	Δ	Body Assembly	1
4A	Δ	Drive Gear Assembly (5/8 inch 9 Tooth Spline Shaft)	1
4B	Δ	Drive Gear Assembly (3/4 inch 11 Tooth Spline Shaft)	1
4C	Δ	Drive Gear Assembly (3/4 inch Straight Keyed Shaft)	1
4D	Δ	Drive Gear Assembly (5/8 inch Straight Keyed Shaft)	1
5	Δ	Idler Gear Assembly	1
~	7 26000 -550	Wear Plate	1
~	8 25300 -659	O-ring (Used with plain backplate only)	2
~	8 16007 -513	O-ring (Used with R/V, F/D, Tandem F/D & Tandem backplates)	2
~	9 15147 -281	Shaft Seal (Standard)	1
	9 16252 -112	Shaft Seal (Viton)	1
~	10 16048 -27	Washer	1
	11 Δ	Cap Screw	8
~	12 26000 -552	Backup Gasket	1
~	13 26000 -551	Seal	1
	13 26000 -553	Seal (Viton)	1
	14a 15511 -568	Key for Straight Shaft	1
	14b 24300 -625	Key for Straight Shaft	1
~	17 25300 -674	Washer	4
	25 16077 -22	Retaining Ring	1
~	40 26000 -554	Plug	1
~	26000 -901	Seal Kit	
Δ	- See table, below, for specific part number		
~	- Parts included in Seal Kit		

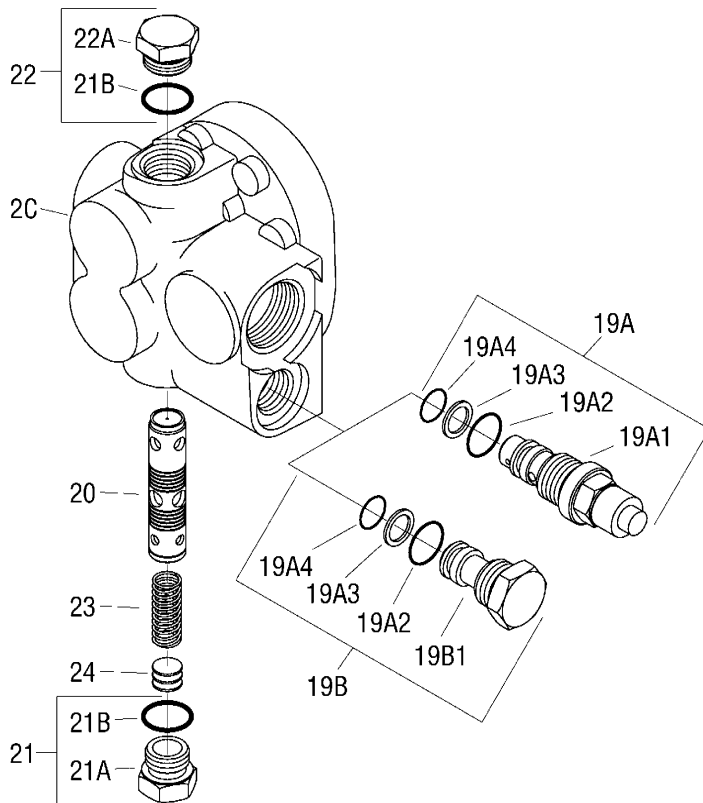
Displacement cm <sup>3</sup> /r [in <sup>3</sup> /r]	Item No. 3 Body Assembly	Item No. 4A 5/8 in. Spline Shaft	Item No. 4B 3/4 in. Spline Shaft	Item No. 4C 3/4 in. Keyed Shaft	Item No. 4D 5/8 in. Keyed Shaft	Item No. 5 Idler Gear	Item No. 11 Cap Screw
6,6 [.40]	26001 - 101	26001 - 203	26001 - 205	26001 - 207	26001 - 211	26001 - 201	16119 - 520
8,2 [.50]	26002 - 101	26002 - 203	26002 - 205	26002 - 207	26002 - 211	26002 - 201	16119 - 520
9,5 [.58]	26003 - 101	26003 - 203	26003 - 205	26003 - 207	26003 - 211	26003 - 201	16119 - 521
10,8 [.66]	26004 - 101	26004 - 203	26004 - 205	26004 - 207	26004 - 211	26004 - 201	16119 - 522
13,8 [.84]	26005 - 101	26005 - 203	26005 - 205	26005 - 207	26005 - 211	26005 - 201	16119 - 522
16,7 [1.02]	26006 - 101	26006 - 203	26006 - 205	26006 - 207	26006 - 211	26006 - 201	16119 - 524
19,7 [1.20]	26007 - 101	26007 - 203	26007 - 205	26007 - 207	26007 - 211	26007 - 201	16119 - 524
22,5 [1.37]	26008 - 101	26008 - 203	26008 - 205	26008 - 207	26008 - 211	26008 - 201	16119 - 526
24,3 [1.48]	26009 - 101	26009 - 203	26009 - 205	26009 - 207	26009 - 211	26009 - 201	16119 - 526
25,2 [1.54]	26010 - 101	26010 - 203	26010 - 205	26010 - 207	26010 - 211	26010 - 201	16119 - 526
27,7 [1.69]	26011 - 101	26011 - 203	26011 - 205	26011 - 207	26011 - 211	26011 - 201	16119 - 530
29,0 [1.77]	26012 - 101	26012 - 203	26012 - 205	26012 - 207	26012 - 211	26012 - 201	16119 - 530
30,6 [1.87]	26013 - 101	26013 - 203	26013 - 205	26013 - 207	26013 - 211	26013 - 201	16119 - 530

# Backplate Drawings

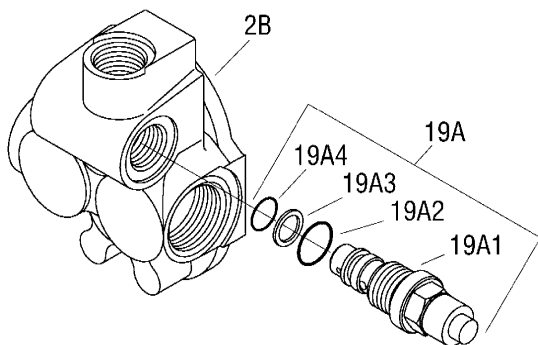
**Plain Backplate**



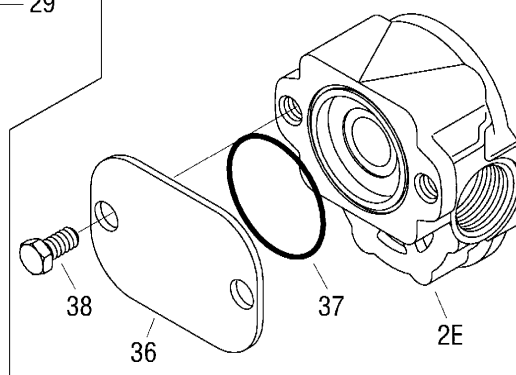
**Flow Divider Backplate**



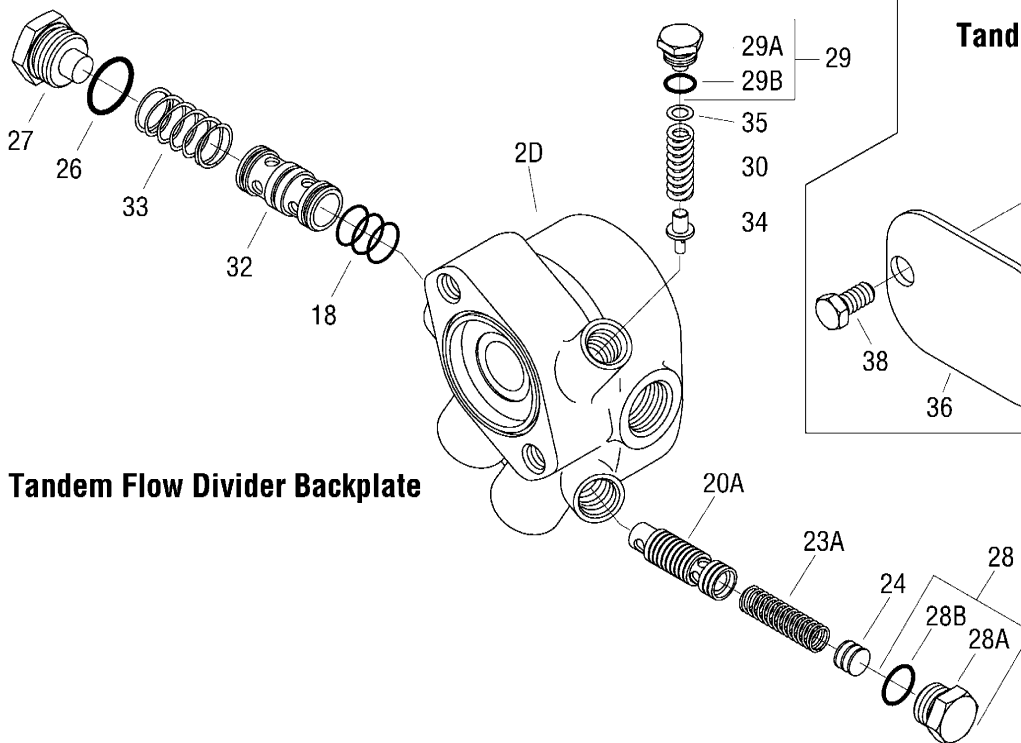
**Relief Valve Backplate**



**Tandem Backplate**



**Tandem Flow Divider Backplate**



# Backplate Parts List

Item No.	Part Number	Description	Qty.
2A		Plain Backplate	1
	26000 -02	Side Ports – 1 5/16-12 Suction, 7/8-14 Pressure	
	26000 -03	Rear Ports – 1 5/16-12 Suction, 7/8-14 Pressure	
	26000 -04	Side Ports – 1 1/16-12 Suction, 7/8-14 Pressure	
	26000 -05	Rear Ports – 1 1/16-12 Suction, 7/8-14 Pressure	
2B		Relief Valve Backplate	1
	26100 -07	Side Ports – 1 1/16-12 Suction, 7/8-14 Pressure, 7/8-14 Drain	
	26100 -03	Side Ports – 1 1/16-12 Suction, 7/8-14 Pressure, Internal Drain	
2C		Flow Divider Backplate	1
	26200 -02	Side Ports – 1 5/16-12 Suction, 3/4-16 Priority, 7/8-14 Secondary	
	26200 -03	Rear Ports – 1 5/16-12 Suction, 3/4-16 Priority, 7/8-14 Secondary	
2D		Tandem Flow Divider Backplate	1
	26400 -03	Side Ports – 1 1/16-12 Suction, 3/4-16 Priority, 7/8-14 Secondary	
2E		Tandem Backplate	1
	26400 -02	Side Ports – 1 1/16-12 Suction, 7/8-14 Pressure	
18	16015 -5 - 90	O-ring	3
19A	Δ	Relief Valve Assembly	1
19A1	NSS	Relief Valve	1
~ 19A2	16015 -17	O-ring	1
~ 19A3	16235 -111	Backup Ring	1
~ 19A4	16003 -11	O-ring	1
19B	33100 -301	Plug Assembly	1
19B1	NSS	Plug	1
20	Δ	Flow Divider Spool	1
20A	24330 -604	Spool for Tandem Flow Divider Backplate	
21	15440 -303	Plug/O-ring Assembly	1
21A	NSS	Plug	1
~ 21B	16003 -12 - 90	O-ring	2
22	16224 -05	Plug/O-ring Assembly	1
22A	NSS	Plug	1
23	17046 -20	Spring	1
23A	15511 -142	Spring for Tandem Flow Divider Backplate	1
24	15511 -141	Shim (.0239 inch thick)	A/R
~ 26	16015 -18 - 90	O-ring	1
27	15511 -430	Plug	1
28	16224 -09	Plug/O-ring Assembly	1
28A	NSS	Plug	1
~ 28B	16003 -12 - 90	O-ring	2
29	16225 -05	Plug/O-ring Assembly	1
29A	NSS	Plug	1
29B	16003 -9 - 90	O-ring	1
30	32015 -24	Relief Valve Spring	1
32	15511 -110	Sleeve	1
33	15511 -473	Spring	1
34	32015 -51	Poppet	1
35	16048 -35	Shim Washer (.010 inch thick)	A/R
36	25340 -601	Tandem Cover Plate	1
37	16015 -38	O-ring	1
38	16032 -606	Cap Screw	2

Δ – See tables on page 6 for specific part numbers

NSS – Not Sold Separately

A/R – As Required

~ – Parts included in Seal Kit

# Backplate Parts List

## Item No. 19A – Relief Valve Assembly

Part Number	Pressure Setting (bar [lbf/in <sup>2</sup> ])
32080 - AA	34.5 [500]
32080 - BA	51.7 [750]
32080 - CA	68.9 [1000]
32080 - EA	86.2 [1250]
32080 - GA	103.4 [1500]
32080 - JA	120.6 [1750]
32080 - LA	137.9 [2000]
32080 - NA	155.1 [2250]
32080 - QA	172.4 [2500]

## Item No. 20 – Flow Divider Spool

Part Number	Flow Setting (l/min [gal/min])
26200 - 600	3.8 [1.00]
26200 - 601	5.7 [1.50]
26200 - 602	7.6 [2.00]
26200 - 603	9.5 [2.50]
26200 - 604	11.4 [3.00]
26200 - 605	13.3 [3.50]
26200 - 606	15.1 [4.00]
26200 - 607	17.0 [4.50]
26200 - 607	18.9 [5.00]
26200 - 608	20.8 [5.50]
26200 - 609	22.7 [6.00]

# Pump Identification Number

Stamped on each units mounting flange.

**Product Number: 26 0 01 - R Z A**

**Series** \_\_\_\_\_  
**26** = Gear Pump  
 ( SAE "A" Mount )

**Features** \_\_\_\_\_  
**0** = Standard Single Pump  
**1** = Standard Single W/ Relief  
**2** = Flow Divider Backplate  
**3** = Flow Divider W/ Load Sense  
**4** = Tandem Backplate  
**5** = Multiple Pumps

**Displacement cm<sup>3</sup>/r [ in<sup>3</sup> /r]** \_\_\_\_\_  
**01** = 6.6 [.40]    **08** = 22.5 [1.37]  
**02** = 8.2 [.50]    **09** = 24.3 [1.48]  
**03** = 9.5 [.58]    **10** = 25.2 [1.54]  
**04** = 10.8 [.66]    **11** = 27.7 [1.69]  
**05** = 13.8 [.84]    **12** = 29.0 [1.77]  
**06** = 16.7 [1.02]    **13** = 30.6 [1.87]  
**07** = 19.7 [1.20]

**Input Rotation** \_\_\_\_\_  
**R** = Right-hand (clockwise)  
**L** = Left-hand (Counterclockwise)

**Catalog / Non-Catalog** \_\_\_\_\_  
**Z** = Cataloged Pump  
**A-Y** = Non-Cataloged Pump

**Shafts , Porting Size and Location** \_\_\_\_\_

**B 95 01 31 JB** **Serial Number Code:**

\_\_\_\_\_ Testers Initials  
 \_\_\_\_\_ Day of Month (two digits)  
 \_\_\_\_\_ Month (two digits)  
 \_\_\_\_\_ Last two digits of year built.  
 ( 93 for 1993 etc.)  
 \_\_\_\_\_ Revision level of parts list.

**Each order must include the following information.**

1. Product and/or Part Number
2. Serial Number Code
3. Part Name
4. Quantity

**Side Ports**

- A** = 3/4 in. 11 Tooth, 1 5/16-12 UN-2B Suction, 7/8-14 UNF-2B Pressure
- C** = 3/4 in. Str. Keyed, 1 5/16-12 UN-2B Suction, 7/8-14 UNF-2B Pressure
- E** = 3/4 in. 9 Tooth, 1 5/16-12 UN-2B Suction, 7/8-14 UNF-2B Pressure
- G** = 5/8 in. Str. Keyed, 1 1/16-12 UN-2B Suction, 7/8-14 UNF-2B Pressure
- J** = 5/8 in. 9 Tooth, 1 1/16-12 UN-2B Suction, 7/8-14 UNF-2B Pressure
- L** = 5/8 in. Str. Keyed, 1 5/16-12 UN-2B Suction, 7/8-14 UNF-2B Pressure
- N** = 3/4 in. 11 Tooth, 1 1/16-12 UN-2B Suction, 7/8-14 UNF-2B Pressure
- R** = 3/4 in. Str. Keyed, 1 1/16-12 UN-2B Suction, 7/8-14 UNF-2B Pressure

**Rear Ports**

- B** = 3/4 in. 11 Tooth, 1 5/16-12 UN-2B Suction, 7/8-14 UNF-2B Pressure
- D** = 3/4 in. Str. Keyed, 1 5/16-12 UN-2B Suction, 7/8-14 UNF-2B Pressure
- F** = 3/4 in. 9 Tooth, 1 5/16-12 UN-2B Suction, 7/8-14 UNF-2B Pressure
- H** = 5/8 in. Str. Keyed, 1 1/16-12 UN-2B Suction, 7/8-14 UNF-2B Pressure
- K** = 5/8 in. 9 Tooth, 1 1/16-12 UN-2B Suction, 7/8-14 UNF-2B Pressure
- M** = 5/8 in. Str. Keyed, 1 5/16-12 UN-2B Suction, 7/8-14 UNF-2B Pressure
- P** = 3/4 in. 11 Tooth, 1 1/16-12 UN-2B Suction, 7/8-14 UNF-2B Pressure
- S** = 3/4 in. Str. Keyed, 1 1/16-12 UN-2B Suction, 7/8-14 UNF-2B Pressure