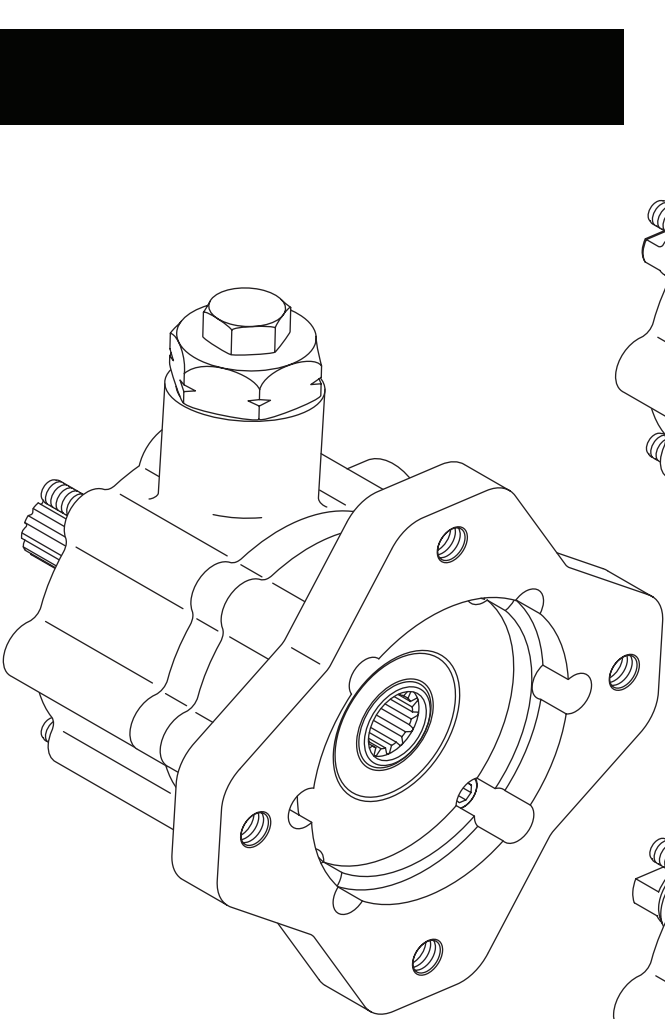
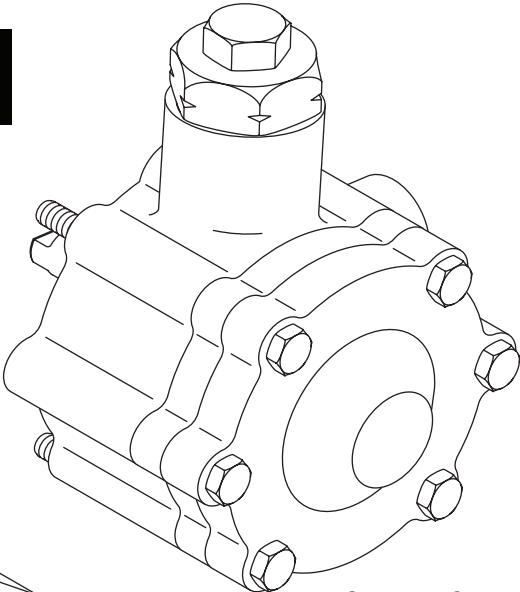


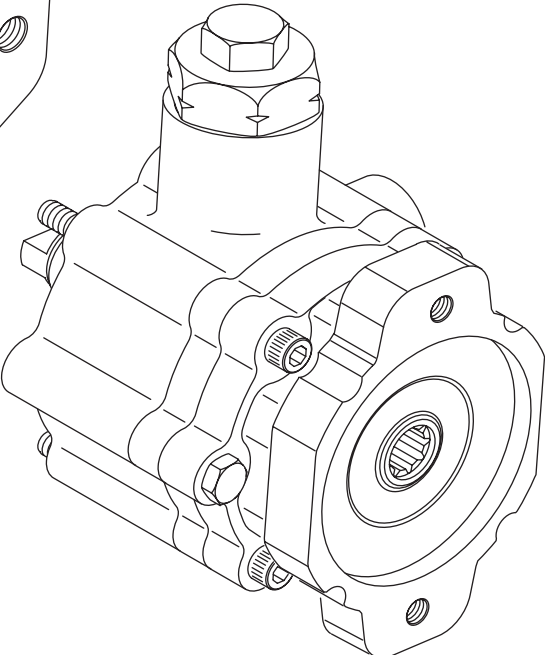
# Eaton High-Pressure Closed-Circuit Piston Pumps parts list



**B-Pad Charge Pump**

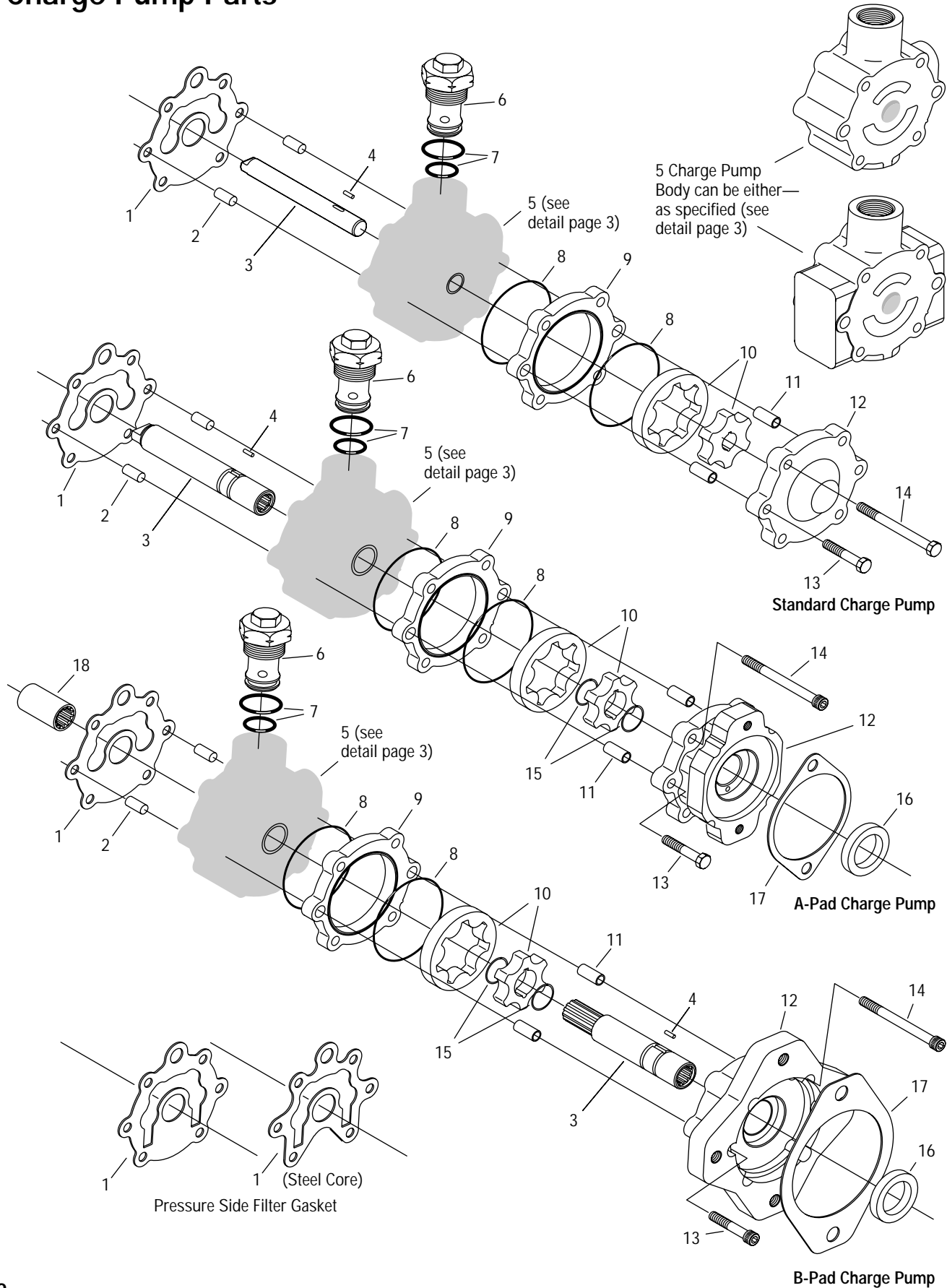


**Standard Charge Pump**



**A-Pad Charge Pump**

# Charge Pump Parts



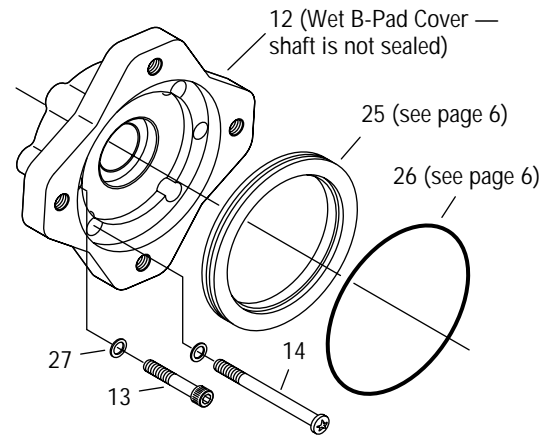
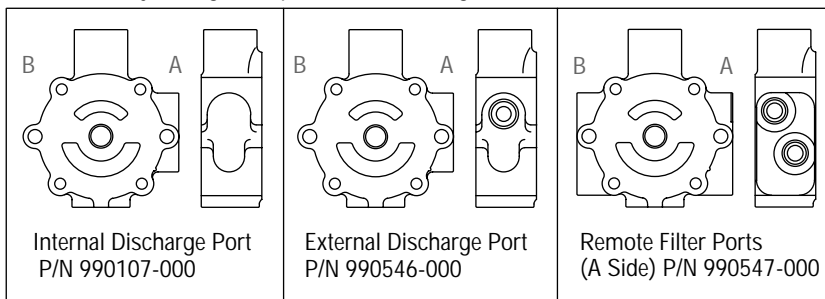
Ref. No.	Part Number Standard C/P	A-Pad C/P	B-Pad C/P	Description	Quantity Per Unit
1	101179-000	101179-000	101179-000	Gasket	1
	—	103020-000	103020-000	Gasket (pressure side filter)	1
	—	105106-000	105106-000	Gasket, Steel Core (pressure side filter)	1
2	98202-000	98202-000	98202-000	Dowel, Solid	2
3	*	*	*	Shaft	1
4	*	*	*	Pin, Drive	1
5	†	†	†	Body w/Bearing or w/Bushing	1
6	*	*	*	Valve, Relief (low pressure)	1
7	990104-000	990104-000	990104-000	O-rings (kit) (for relief valve)	1
8	102574-000	102574-000	102574-000	O-ring	2
9	*	*	*	Spacer	1
10	*	*	*	Gerotor	1
11	*	*	*	Dowel, Hollow	2
12	990106-000			Cover w/Bearing	1
		990364-000	990345-000	Cover w/Bushing — Dry (includes shaft seal, ref. no. 16)	1
		990482-000	990599-000	Cover w/Bushing — Wet	1
13	*	*	*	Bolt	2
14	*	*	*	Bolt, Mounting	4
15		102853-000	102853-000	Ring, Retaining	2
16		102561-000	103357-000	Seal, Shaft	1
17		102930-000	102919-000	Gasket	1
18			103365-000	Coupling, Splined	1

(Continued on Page 6)

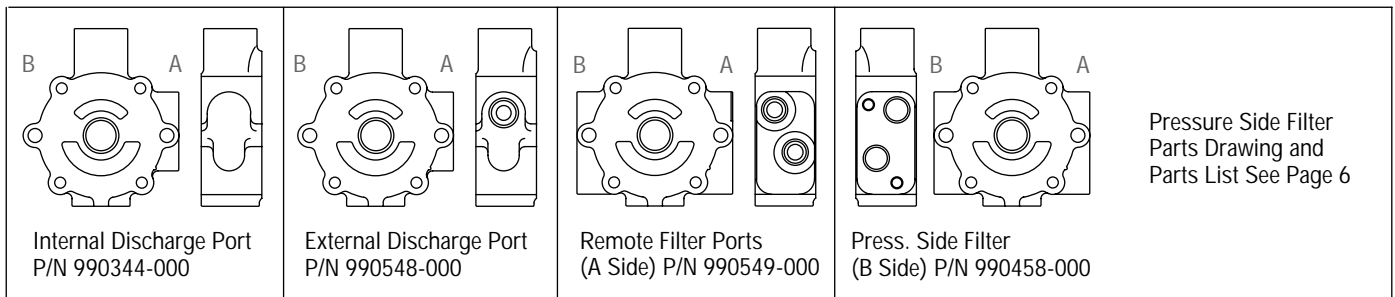
\* See Charts Page 4

† See Body, Charge Pump (below)

Item 5 — Body, Charge Pump (Bore and Bearing for Standard Shaft)



Item 5 — Body, Charge Pump (Bore and Bushing for A-Pad or B-Pad Shaft)



## Charge Pump Parts List

### Standard Charge Pump

Ref. No.	Description	13,9 [ .85]		21,0 [1.28]		27,9 [1.70]		34,7 [2.12]	
		Part Number	Size**	Part Number	Size**	Part Number	Size**	Part Number	Size**
3	Shaft	101006-000	142 [5.60]	101007-000	147 [5.80]	101008-000	155 [6.10]	106567-212	161 [6.34]
4	Pin, Drive	101305-000	10 [ .39]	101311-000	15 [ .60]	101312-000	22 [ .85]	106529-000	28 [1.10]
9	Spacer	101016-000	13 [ .50]	101017-000	19 [ .75]	101018-000	25 [1.00]	106518-000	32 [1.25]
10	Gerotor	22255-003	13 [ .50]	22255-005	19 [ .75]	22255-007	25 [1.00]	23397-008	32 [1.25]
11	Dowel, Hollow	95660-000	25 [1.00]	98011-000	32 [1.25]	98012-000	38 [1.50]	106539-000	44 [1.75]
13	Bolt	95862-175	44 [1.75]	95862-200	51 [2.00]	95862-225	57 [2.25]	95862-250	63 [2.50]
14	Bolt, Mounting	105663-350	89 [3.50]	105663-375	95 [3.75]	105663-400	102 [4.00]	105663-425	108 [4.25]

### A-Pad Charge Pump

Ref. No.	Description	13,9 [ .85]		21,0 [1.28]		27,9 [1.70]		34,7 [2.12]	
		Part Number	Size**	Part Number	Size**	Part Number	Size**	Part Number	Size**
3	Shaft	103249-085	152 [6.00]	103249-128	160 [6.30]	103249-170	119 [4.70]	103249-212	170 [6.41]
4	Pin, Drive	101305-000	10 [ .39]	101311-000	15 [ .60]	101312-000	22 [ .85]	106529-000	28 [1.10]
9	Spacer	101016-000	13 [ .50]	101017-000	19 [ .75]	101018-000	25 [1.00]	106518-000	32 [1.25]
10	Gerotor	22258-003	13 [ .50]	22258-005	19 [ .75]	22258-007	25 [1.00]	23396-008	32 [1.25]
11	Dowel, Hollow	95660-000	25 [1.00]	98011-000	32 [1.25]	98012-000	38 [1.50]	106539-000	44 [1.75]
13	Bolt	95862-175	44 [1.75]	95862-200	51 [2.00]	95862-225	57 [2.25]	95862-250	63 [2.50]
14	Bolt, Mounting	95912-350	89 [3.50]	95912-375	95 [3.75]	95912-400	102 [4.00]	95912-425	108 [4.25]

### B-Pad Charge Pump

Ref. No.	Description	13,9 [ .85]		21,0 [1.28]		27,9 [1.70]		34,7 [2.12]	
		Part Number	Size**	Part Number	Size**	Part Number	Size**	Part Number	Size**
3	Shaft	103358-085	107 [4.20]	103358-128	147 [5.80]	103358-170	119 [4.70]	103358-212	126 [4.95]
4	Pin, Drive	101305-000	10 [ .39]	101311-000	15 [ .60]	101312-000	22 [ .85]	106529-000	28 [1.10]
9	Spacer	101016-000	13 [ .50]	101017-000	19 [ .75]	101018-000	25 [1.00]	106518-000	32 [1.25]
10	Gerotor	22258-003	13 [ .50]	22258-005	19 [ .75]	22258-007	25 [1.00]	23396-008	32 [1.25]
11	Dowel, Hollow	95660-000	25 [1.00]	98011-000	32 [1.25]	98012-000	38 [1.50]	106539-000	44 [1.75]
13	Bolt	95912-175	44 [1.75]	95912-200	51 [2.00]	95912-225	57 [2.25]	95912-250	63 [2.50]
14	Bolt, Mounting	95912-350	89 [3.50]	95912-375	95 [3.75]	95912-400	102 [4.00]	95912-425	108 [4.25]
	Bolt, Mtg.***	107019-350	89 [3.50]	107019-375	95 [3.75]	107019-400	102 [4.00]	107019-425	108 [4.25]

\*\*Size (length or width) is for part identification. It is a nominal dimension of the part that is affected by charge pump displacement. Part length or width is given in millimeter [inch].

\*\*\*Pan Head Mounting Bolt for Wet B-Pad only (sealing washer required — see ref. no. 27 page 6)

### Charge Pump Kits and Subassemblies

Each charge pump kit contains a charge pump subassembly, four mounting bolts, two dowels, and a gasket. If a charge pump subassembly is ordered it will be necessary to order mounting bolts, dowels, and a gasket.

The three x's that follow each charge pump and subassembly number indicate the pressure setting of the relief valve. Multiply this three digit number by ten to find the pressure setting in PSI.

Example: 022 X 10 = 220 PSI (see relief valve chart lower right for pressure setting and part number cross reference).

#### Standard Charge Pump

Kit No.	Subassembly	Displ.	Rotation/Features
990006-xxx	101000-xxx	13,9 [ .85]	CCW
990007-xxx	101001-xxx	13,9 [ .85]	CW
990008-xxx	101002-xxx	21,0 [1.28]	CCW
990009-xxx	101003-xxx	21,0 [1.28]	CW
990010-xxx	101004-xxx	27,9 [1.70]	CCW
990011-xxx	101005-xxx	27,9 [1.70]	CW
990433-xxx	101353-xxx	13,9 [ .85]	CW w/Aux. Pres. Port
990434-xxx	101587-xxx	13,9 [ .85]	CCW w/Aux. Pres. Port
990437-xxx	101588-xxx	21,0 [1.28]	CCW w/Aux. Pres. Port
990438-xxx	101589-xxx	21,0 [1.28]	CW w/Aux. Pres. Port
990441-xxx	101590-xxx	27,9 [1.70]	CCW w/Aux. Pres. Port
990443-xxx	101591-xxx	27,9 [1.70]	CW w/Aux. Pres. Port
990617-xxx	107161-xxx	34,7 [2.12]	CCW w/Aux. Pres. Port
990598-xxx	106532-xxx	34,7 [2.12]	CW w/Aux. Pres. Port
990435-xxx	103049-xxx	13,9 [ .85]	CCW Remote Filter Ports
990439-xxx	103066-xxx	21,0 [1.28]	CCW Remote Filter Ports
990598-xxx	105553-xxx	27,9 [1.70]	CCW Remote Filter Ports
990440-xxx	103678-xxx	21,0 [1.28]	CW Remote Filter Ports

#### A-Pad Charge Pump

990612-xxx	105119-xxx	13,9 [ .85]	CCW w/Aux. Pres. Port
990352-xxx	103342-xxx	13,9 [ .85]	CW
990353-xxx	103343-xxx	13,9 [ .85]	CCW
990354-xxx	103344-xxx	21,0 [1.28]	CW
990355-xxx	103345-xxx	21,0 [1.28]	CCW
990446-xxx	103470-xxx	21,0 [1.28]	CW w/Aux. Pres. Port
990356-xxx	103346-xxx	27,9 [1.70]	CW
990357-xxx	103347-xxx	27,9 [1.70]	CCW
990449-xxx	103472-xxx	27,9 [1.70]	CW Remote Filter Ports
990600-xxx	107950-xxx	34,7 [2.12]	CCW w/Aux. Pres. Port
990610-xxx	104756-xxx	27,9 [1.70]	CCW w/Aux. Pres. Port
990611-xxx	105189-xxx	21,0 [1.28]	CCW w/Aux. Pres. Port

#### B-Pad Charge Pump

990346-xxx	103336-xxx	13,9 [ .85]	CW
990347-xxx	103337-xxx	13,9 [ .85]	CCW
990348-xxx	103338-xxx	21,0 [1.28]	CW
990349-xxx	103339-xxx	21,0 [1.28]	CCW
990447-xxx	103441-xxx	21,0 [1.28]	CW w/Aux. Pres. Port
990448-xxx	103444-xxx	21,0 [1.28]	CCW w/Aux. Pres. Port
990350-xxx	103340-xxx	27,9 [1.70]	CW
990351-xxx	103341-xxx	27,9 [1.70]	CCW
990603-xxx	106534-xxx	34,7 [2.12]	CW

Wet B-Pad Charge Pump Kits (see page 6)

### Displacement Conversion Kits

Each conversion kit contains:

Ref.

No.	9. Spacer (1)
1. Gasket (1)	10. Gerotor (1)
3. Shaft (1)	11. Hollow Dowels (2)
4. Drive Pin (1)	13. Bolts (2)
8. O-rings (2)	14. Mtg. Bolts (4)

#### Standard Charge Pump

Displ.	Kit No.
13,9 [ .85]	990025-000
21,0 [1.28]	990026-000
27,9 [1.70]	990027-000
34,7 [2.12]	990619-000

#### A-Pad Charge Pump

Displ.	Kit No.
13,9 [ .85]	990310-000
21,0 [1.28]	990311-000
27,9 [1.70]	990312-000
34,7 [2.12]	990620-000

#### B-Pad Charge Pump

Displ.	Kit No.
13,9 [ .85]	990379-000
21,0 [1.28]	990380-000
27,9 [1.70]	990381-000
34,7 [2.12]	990621-000

### Low Pressure Relief Valves Part Numbers and pressure Relief Settings

#### Ref. No. 6 — Low Pressure Relief Valve

Pressure Setting Bar [PSI]	Relief Valve S/A No.
15 [220]	101048-022
17 [240]	101048-024
18 [260]	101048-026
19 [280]	103072-028
21 [300]	103072-030
23 [340]	103072-034
24 [350]	103072-035
26 [380]	103072-038

# Charge Pump Kits

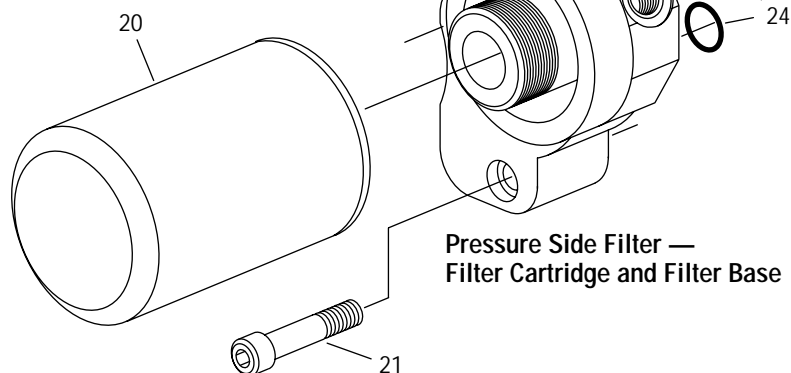
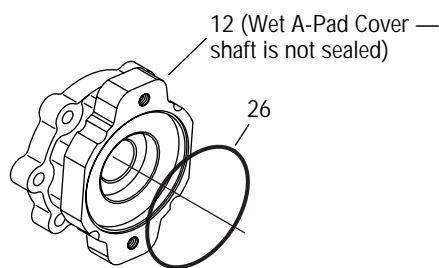
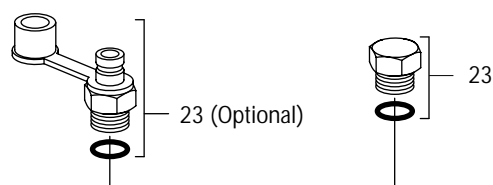
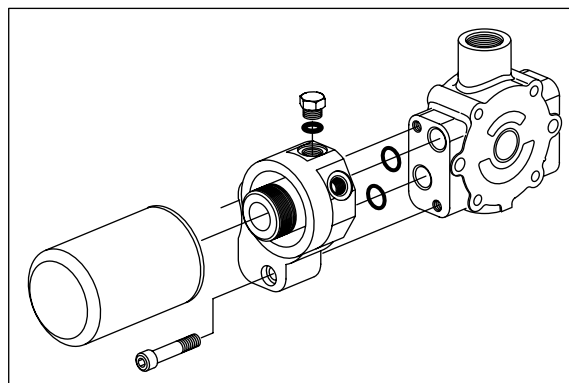
(Charge Pump Kits and Subassemblies Continued)

## Wet A-Pad Charge Pump

Kit No.	Subassembly	Displ.	Rotation/Features
990843-xxx	111343-xxx	13,9 [ .85]	CCW
990844-xxx	110164-xxx	21,0 [1.28]	CW External Discharge Port
990845-xxx	111226-xxx	21,0 [1.28]	CCW External Discharge Port
990846-xxx	109704-xxx	21,0 [1.28]	CW Remote Filter Ports
990847-xxx	110086-xxx	27,9 [1.70]	CW External Discharge Port
990848-xxx	110540-xxx	27,9 [1.70]	CCW External Discharge Port

## Wet B-Pad Charge Pump

990627-xxx	107777-xxx	21,0 [1.28]	CW Remote Filter Ports
990629-xxx	107227-xxx	21,0 [1.28]	CW
990630-xxx	107500-xxx	21,0 [1.28]	CW External Discharge Port
990631-xxx	107978-xxx	21,0 [1.28]	CCW External Discharge Port
990632-xxx	108629-xxx	27,9 [1.70]	CW
990628-xxx	108364-xxx	27,9 [1.70]	CW Remote Filter Ports



Ref. No.	A-Pad C/P	A-Pad (Wet) C/P	B-Pad C/P	B-Pad (Wet) C/P*	Description	Quantity Per Unit
20	104508-005	104508-005	104508-005	104508-005	Filter	1
21	95912-175	95912-175	95912-175	95912-175	Screw, Cap	2
22	104963-000	104963-000	104963-000	108528-000	Base, Filter	1
23	25090-006	25090-006	25090-006	25090-006	Plug/O-ring S/A	2
	8785-006	8785-006	8785-006	8785-006	O-ring	2
	104312-000	104312-000	104312-000	104312-000	Diagnostic Receptacle S/A (Optional)	1
	8785-006	8785-006	8785-006	8785-006	O-ring	1
	104515-000	104515-000	104515-000	104515-000	Dust Cover	1
24	8761-115	8761-115	8761-115	8761-115	O-ring	2
25				107018-000	Spacer	1
26		104166-158		104166-158	O-ring	1
27				106926-000	Washer	4

\*Wet B-Pad Cover (Ref. No. 12) for Pressure Side Filter is 108527-000.